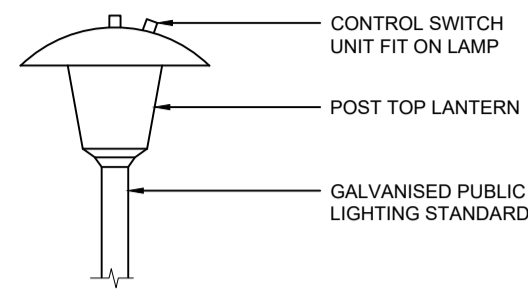
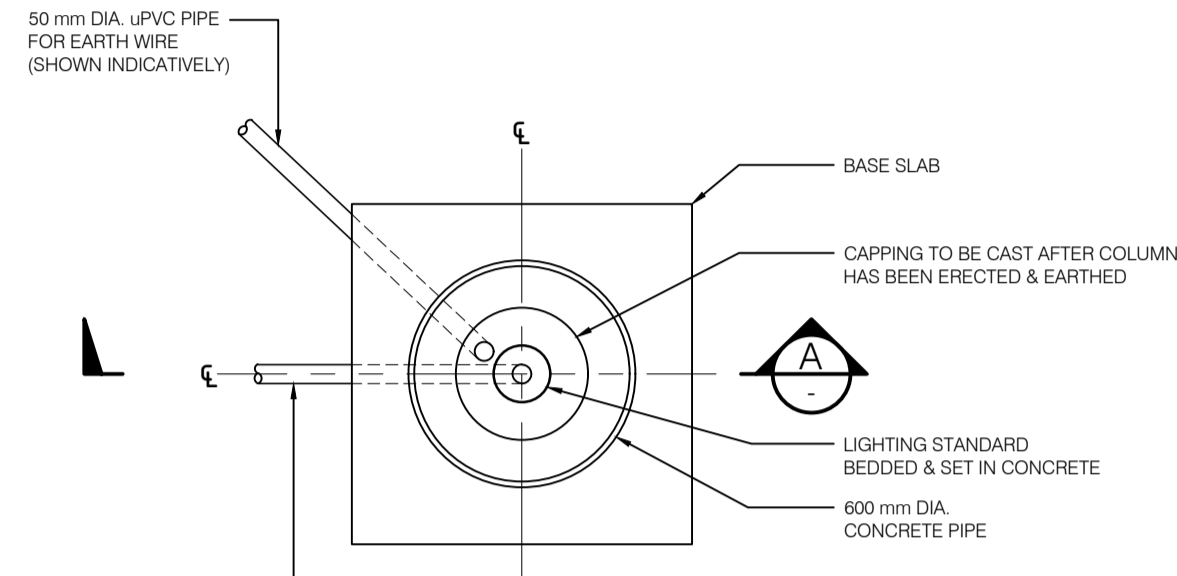


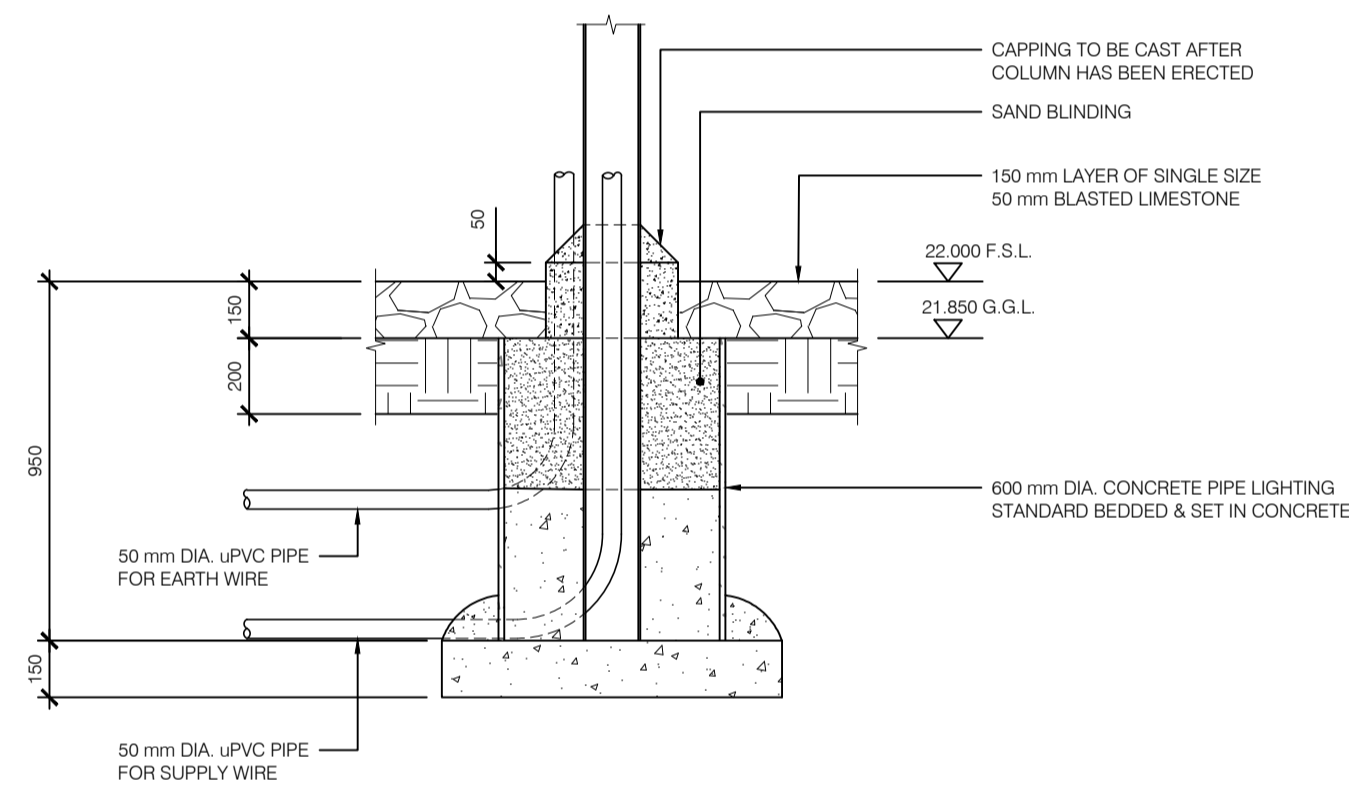
LIGHTING COLUMN



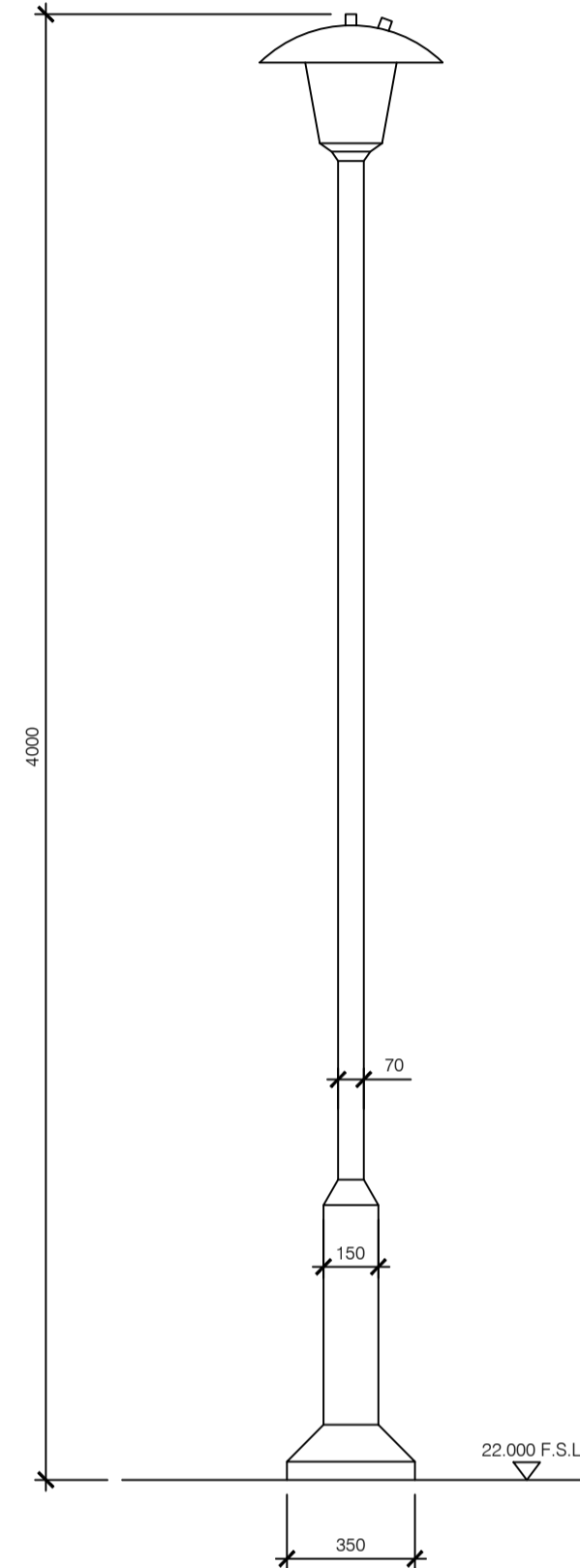
LANTERN DETAIL
SCALE 1:20



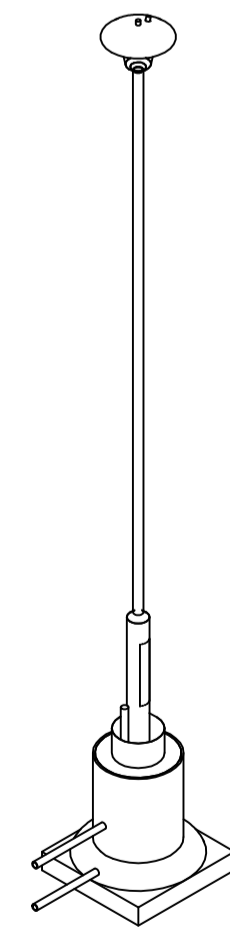
PLAN ON BASE
SCALE 1:20



SECTION
SCALE 1:20

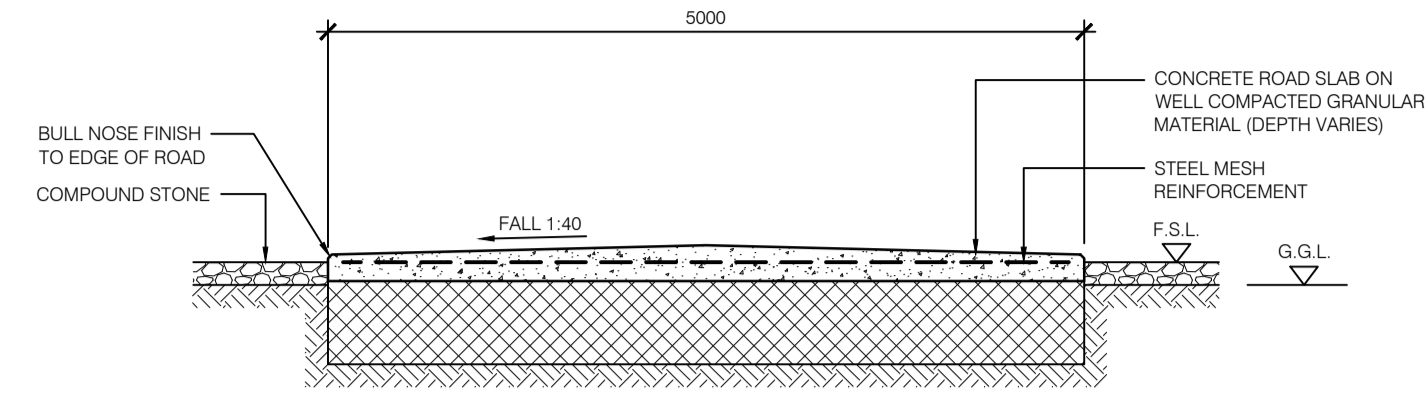


ELEVATION
SCALE 1:20



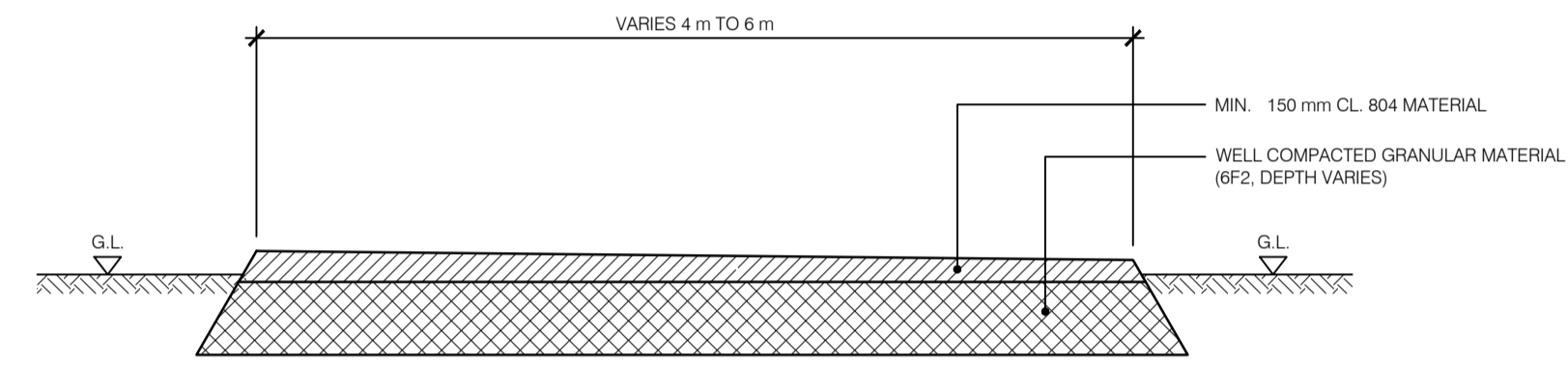
ISOMETRIC VIEW
SCALE 1:50

SUBSTATION COMPOUND ROAD



SECTION THROUGH COMPOUND ROAD
SCALE 1:50

ACCESS TRACK TO SUBSTATION ENTRANCE & TEMPORARY COMPOUNDS



SECTION THROUGH ACCESS TRACK
SCALE 1:50

NOTES

- ALL DIMENSIONS ARE IN mm. NO DIMENSIONS SHALL BE SCALED FROM THE DRAWINGS.
- THE LIGHTING COLUMN IS TO COMPLY WITH RELEVANT SPECIFICATIONS.
- THIS DRAWING IS PRODUCED FOR PLANNING PURPOSES ONLY. ALL DIMENSIONS AND REFERENCES GIVEN ARE GIVEN FOR A GENERAL INSTALLATION AND SHOULD NOT BE USED AS PART OF DETAILED DESIGN. THIS DRAWING IS NOT FOR CONSTRUCTION.
- CIVIL AND ELECTRICAL CALCULATIONS ARE TO BE CARRIED OUT AT THE DETAILED DESIGN STAGE AND TAKE INTO ACCOUNT SPECIFIC EXISTING SITE GROUND CONDITIONS.
- THE LIGHTING COLUMN SHALL BE GALVANISED AND DESIGNED TO SUIT MANUFACTURER SPECIFIC DIMENSIONS AND REQUIREMENTS.

ACRONYMS

F.S.L. = FINAL STONE LEVEL
G.G.L. = GRADED GROUND LEVEL
G.L. = GROUND LEVEL

REV	DATE	REVISION DESCRIPTION	DRN	PROD	VER	APP
3		PROJECT TITLE REVISED	SB			
2	21.08.23	CHANGED TO A1 & COMBINED WITH COMPOUND ROAD & ACCESS TRACK DRAWINGS	SB	SB	SD	JMcL
1	20.04.23	VERTICAL DIMENSION / NOTES ADDED / DRAWING TITLE AND PRODUCTION UNIT REVISED	SB	RH	AH	SK
0	15.12.20	INITIAL ISSUE	RK	RH	BP	SK

COPYRIGHT © ESB
ALL RIGHTS RESERVED. NO PART OF THIS WORK MAY BE MODIFIED, REPRODUCED OR COPIED IN ANY FORM OR BY ANY MEANS - GRAPHIC, ELECTRONIC OR MECHANICAL, INCLUDING PHOTOCOPYING, RECORDING, TAPING OR USED FOR ANY PURPOSE OTHER THAN ITS DESIGNATED PURPOSE, WITHOUT THE WRITTEN PERMISSION OF ESB.

PURPOSE OF ISSUE - PRELIMINARY UNLESS INDICATED

CLIENT APPROVAL PLANNING TENDER CONSTRUCTION AS-BUILT

CLIENT: Oriel Windfarm Limited

PROJECT: Oriel Wind Farm Project

CONTRACT:

DRAWING TITLE: ONSHORE SUBSTATION DETAILS FOR LIGHTING COLUMN, COMPOUND ROAD & SUBSTATION ENTRANCE / TEMPORARY COMPOUNDS ACCESS TRACK

PRODUCTION UNIT: Civil, Environmental and Renewable Engineering



Engineering and Major Projects,
One Dublin Airport Central, Dublin Airport,
Cloghran, Co. Dublin, K67 XF72, Ireland.
Tel: +353 (0)1 703 8000 Web: www.esb.ie
Engineering and Major Projects is a division of ESB.

DRAWN	PRODUCED	VERIFIED	APPROVED	APPROVAL DATE
S. Bolton	S. Bolton	S. Donnelly	J. McLoughlin	21/02/2024
CLIENT REF	NO. OF SHEETS	SIZE	SCALE	
TC223815	1	A1	As Shown	

DRAWING NUMBER: PE605-D027-038-023-003