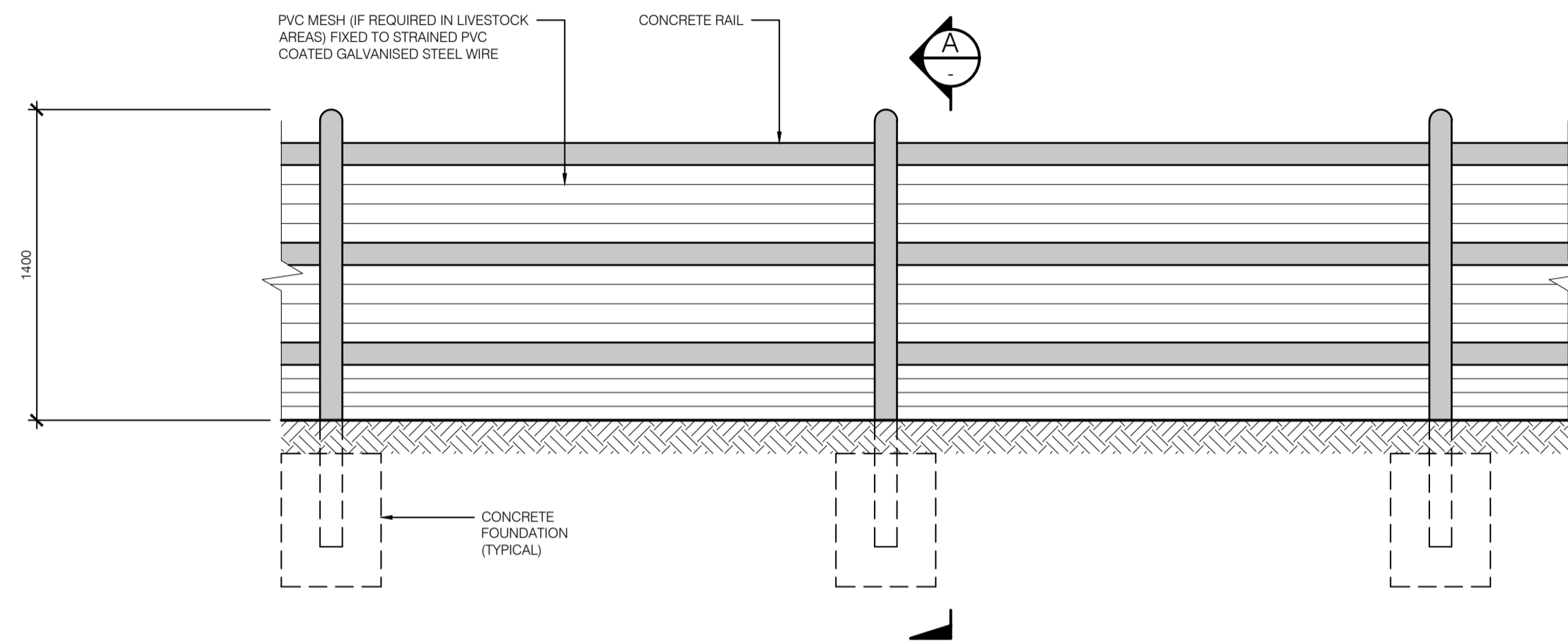
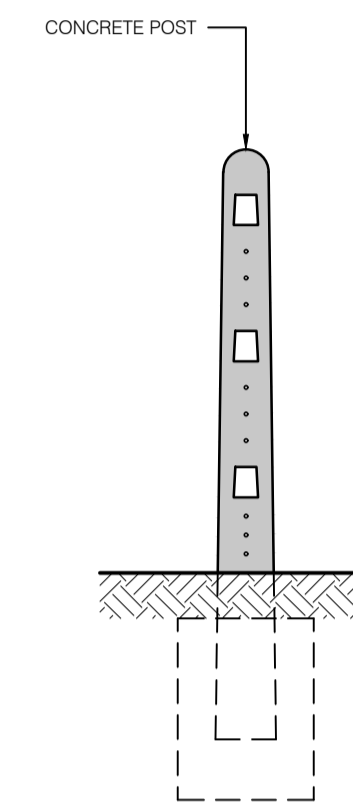


NOTES

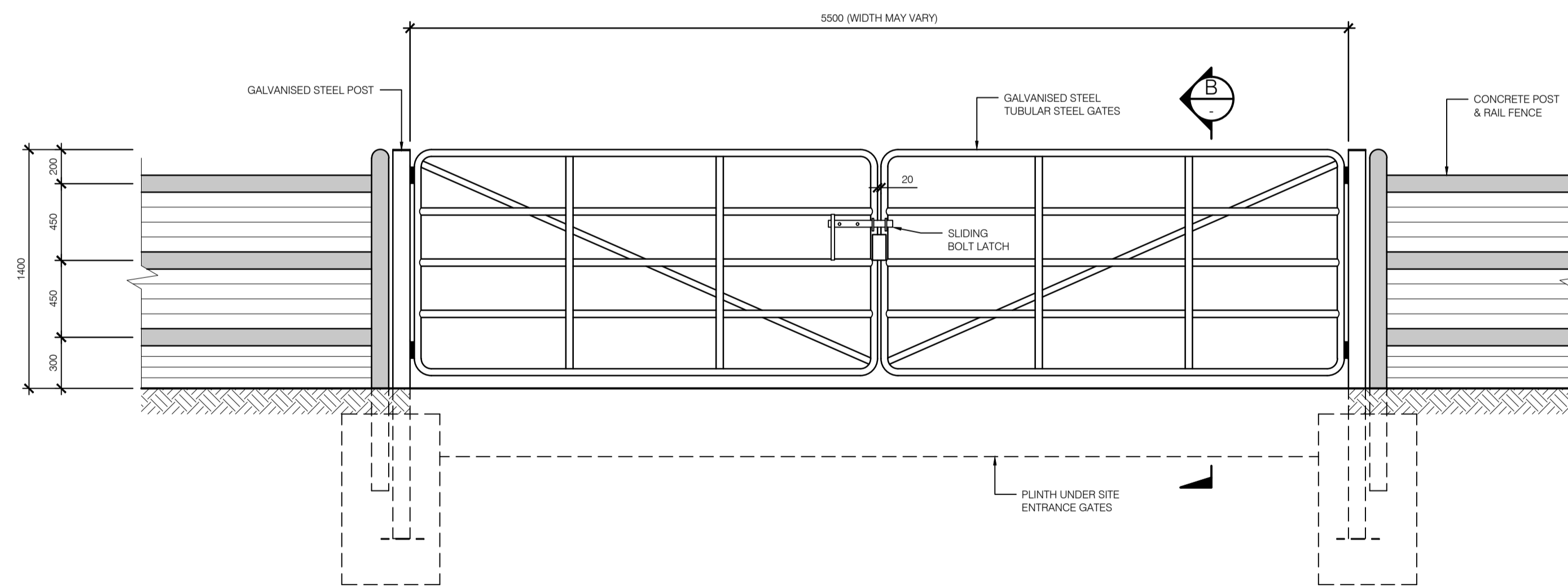
1. ALL DIMENSIONS ARE IN mm. NO DIMENSIONS SHALL BE SCALED FROM THE DRAWING.
2. THIS DRAWING IS PRODUCED FOR PLANNING PURPOSES ONLY. ALL DIMENSIONS AND REFERENCES GIVEN ARE FOR A GENERAL INSTALLATION AND SHOULD NOT BE USED AS PART OF DETAILED DESIGN. THIS DRAWING IS NOT FOR CONSTRUCTION.



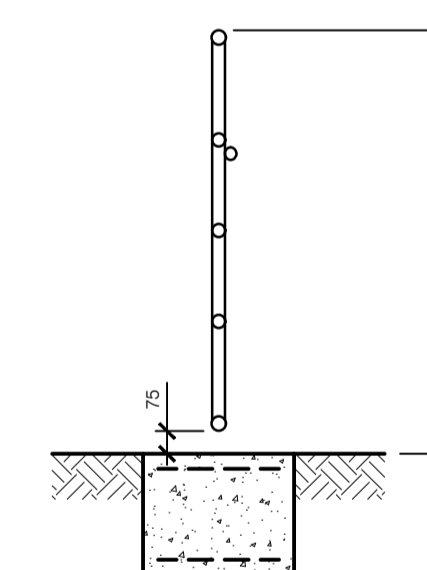
CONCRETE POST & RAIL FENCE ELEVATION
SCALE 1:25



SECTION A
SCALE 1:25



TUBULAR STEEL GATES ELEVATION
SCALE 1:25



SECTION B
SCALE 1:25

REV	DATE	REVISION DESCRIPTION	DRN	PROD	VER	APP
3		PROJECT TITLE REVISED	SB			
2	21.08.23	CHANGED TO A1 SIZE	SB	SB	SD	JMcL
1	29.04.22	NOTES ADDED & PRODUCTION UNIT REVISED	SB	RH	AH	SK
0	15.12.20	INITIAL VERSION	RK	RH	BP	SK

COPYRIGHT © ESB
ALL RIGHTS RESERVED. NO PART OF THIS WORK MAY BE MODIFIED, REPRODUCED OR COPIED IN ANY FORM OR BY ANY MEANS - GRAPHIC, ELECTRONIC OR MECHANICAL, INCLUDING PHOTOCOPIING, RECORDING, TAPING OR USED FOR ANY PURPOSE OTHER THAN ITS DESIGNATED PURPOSE, WITHOUT THE WRITTEN PERMISSION OF ESB.

PURPOSE OF ISSUE - PRELIMINARY UNLESS INDICATED
 CLIENT APPROVAL PLANNING TENDER CONSTRUCTION AS-BUILT

CLIENT: Oriel Windfarm Limited

PROJECT: Oriel Wind Farm Project

CONTRACT:

DRAWING TITLE: ONSHORE SUBSTATION DETAILS OF CONCRETE POST & RAIL FENCE AND TUBULAR STEEL GATES

PRODUCTION UNIT: Civil, Environmental and Renewable Engineering



Engineering and Major Projects,
One Dublin Airport Central, Dublin Airport,
Cloghan, Co. Dublin, K67 XF72, Ireland.
Tel: +353 (0)1 703 8000 Web: www.esb.ie
Engineering and Major Projects is a division of ESB.

DRAWN	PRODUCED	VERIFIED	APPROVED	APPROVAL DATE
S. Bolton	S. Bolton	S. Donnelly	J. McLoughlin	21/02/2024
CLIENT REF	NO. OF SHTS	SIZE	SCALE	
TC223815	1	A1	1:25	

DRAWING NUMBER: PE605-D027-038-019-003
 SHEET: 1
 REV: 1