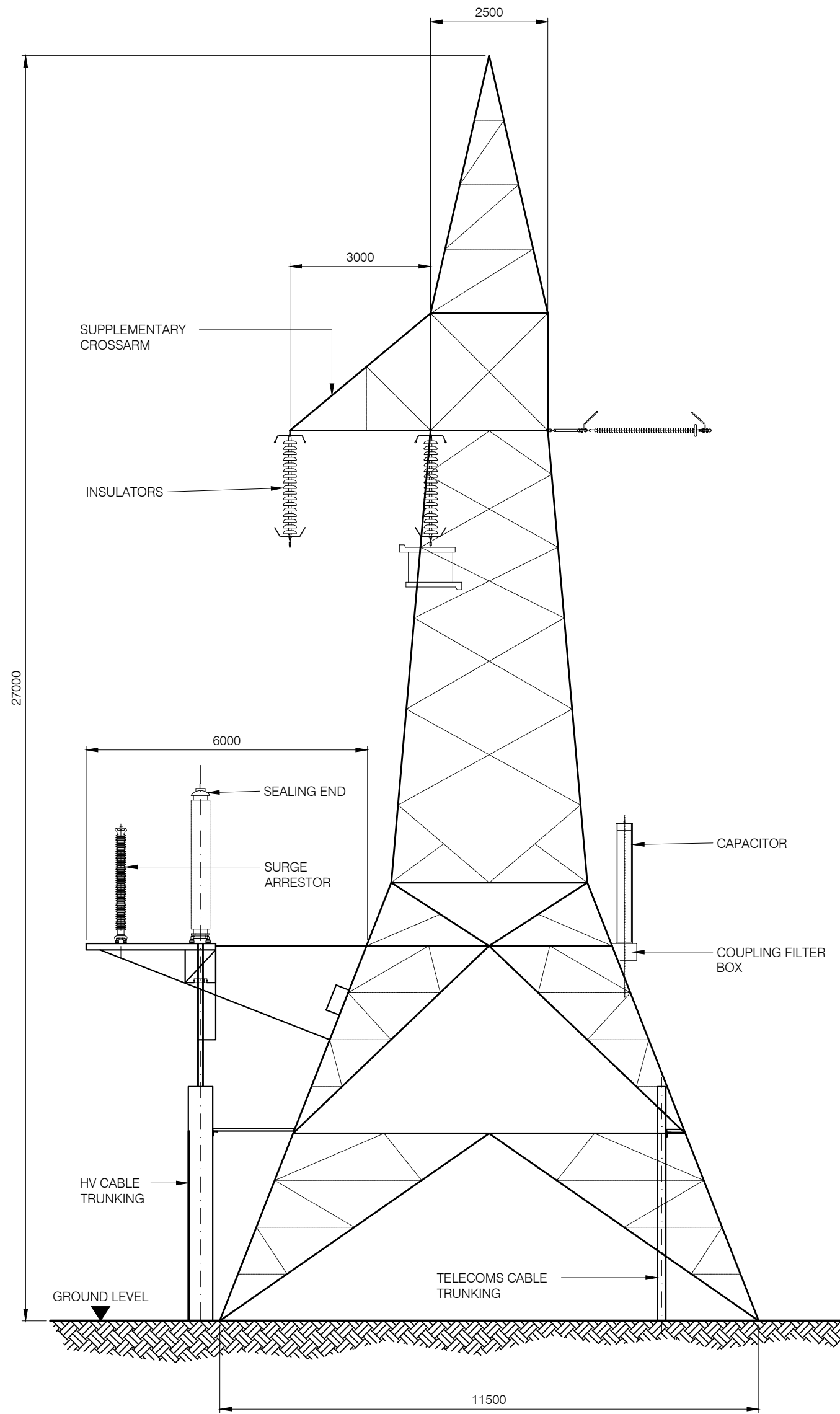
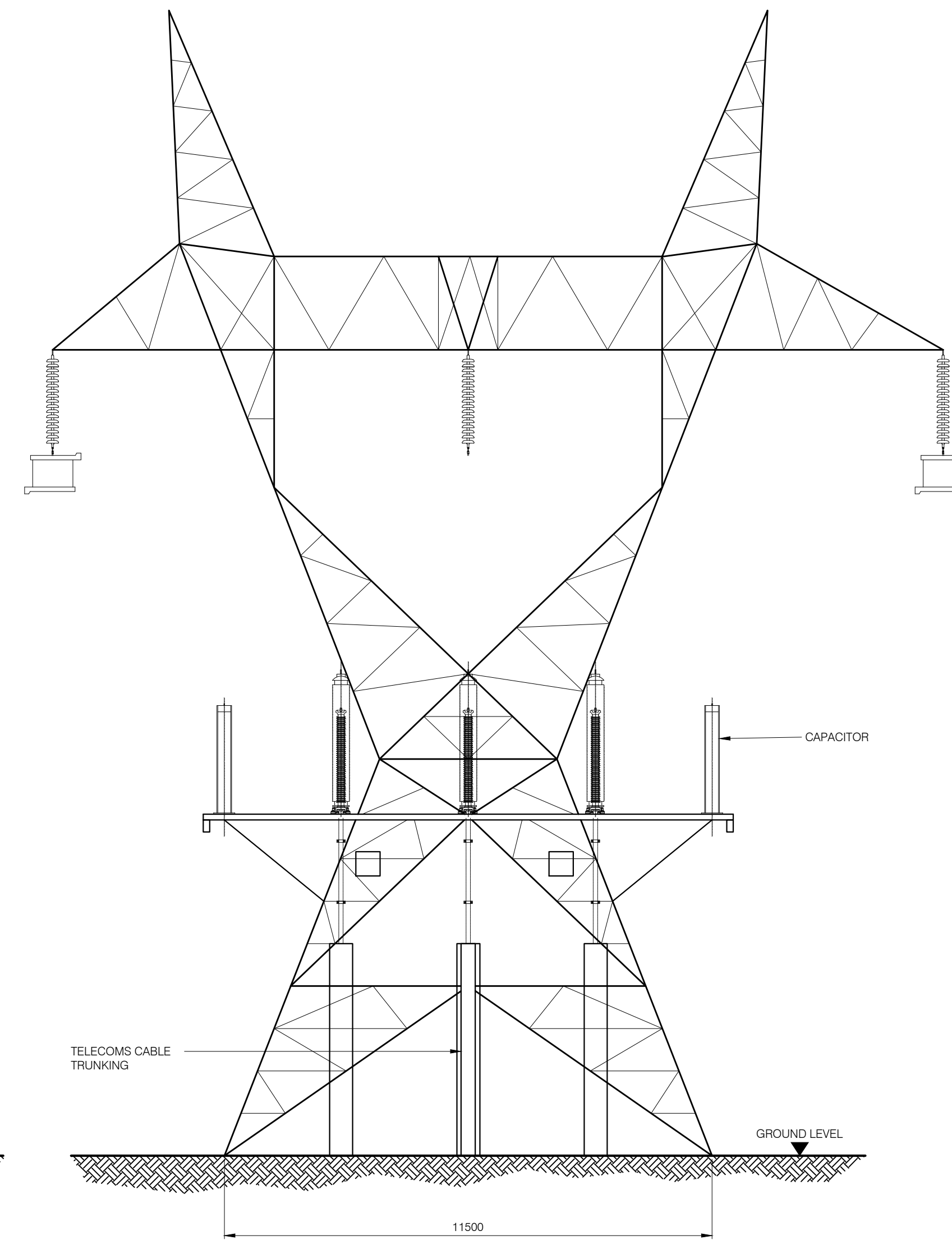


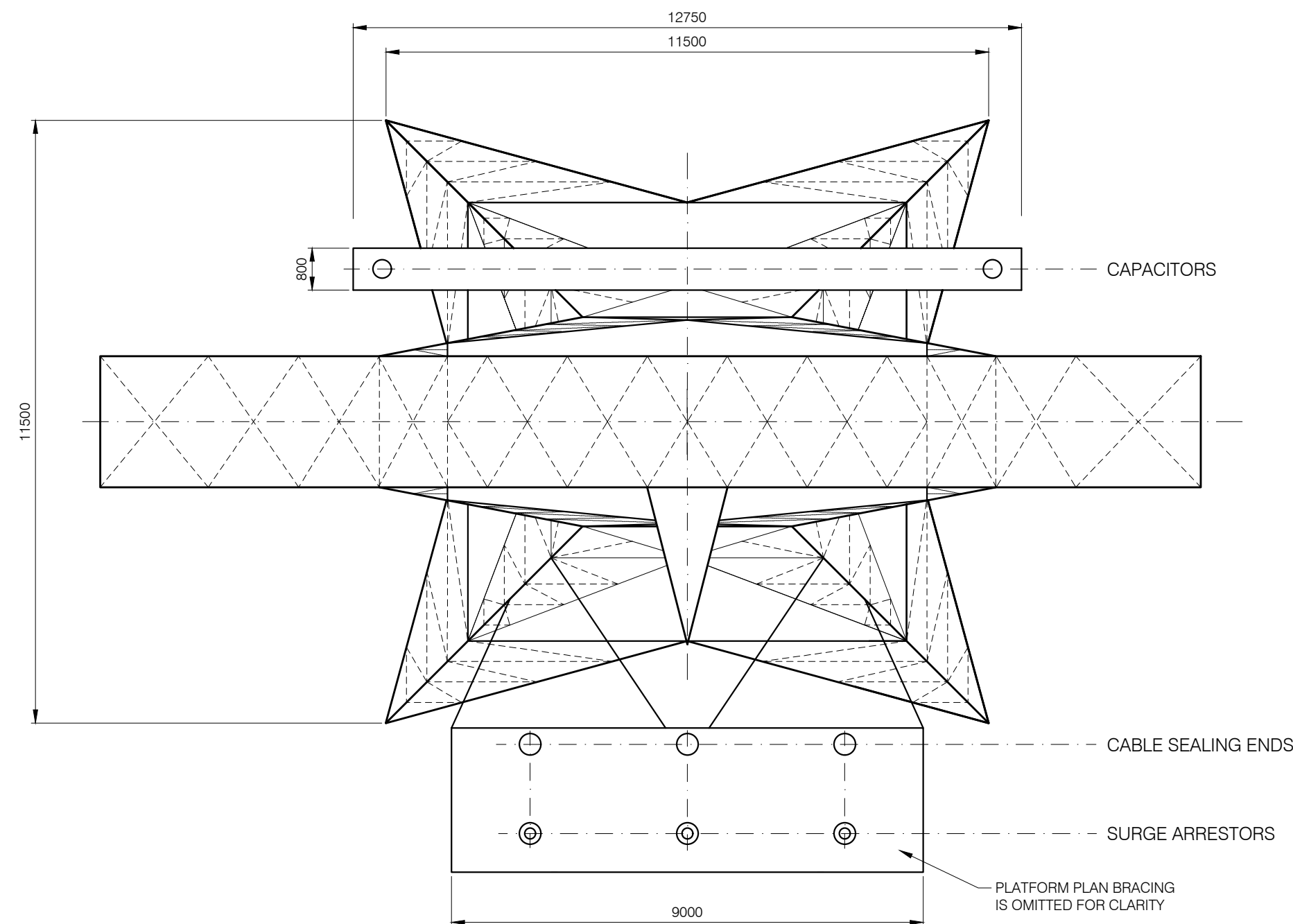
FRONT ELEVATION  
SCALE 1:100



SIDE ELEVATION  
SCALE 1:100

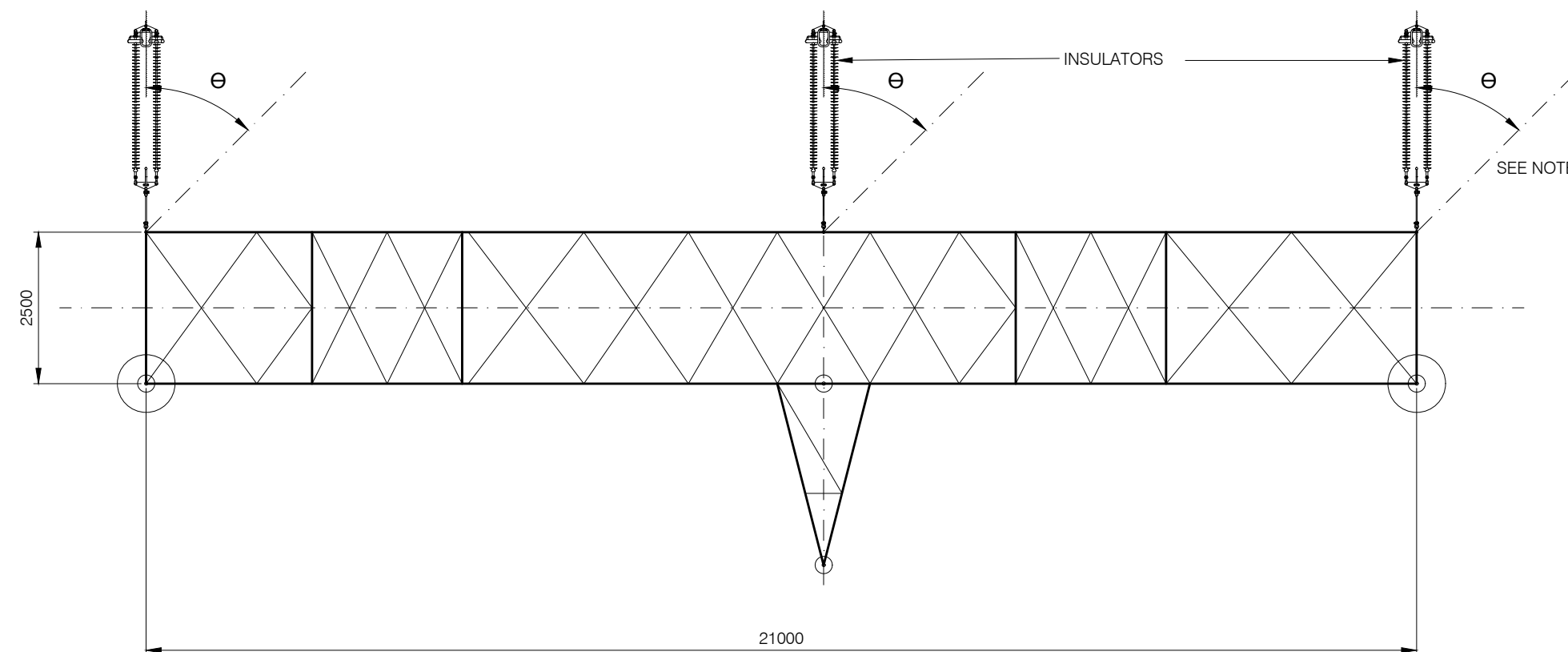


REAR ELEVATION  
SCALE 1:100



PLAN VIEW  
SCALE 1:100

TOWER BODY BRACING DOTTED FOR CLARITY  
(PLATFORM PLAN BRACING AND INSULATORS ARE OMITTED FOR CLARITY)



SECTION  
SCALE 1:100  
CROSSARM ONLY - TOWER BODY  
OMITTED FOR CLARITY

NOTES

- ANTI-CLIMBING GUARD MAY ATTACH TO THIS TOWER.
- THIS DRAWING IS A GENERAL LAYOUT FOR A 220 kV SINGLE CIRCUIT TERMINAL LINE/CABLE INTERFACE TOWER AND ITS ANCILLARY EQUIPMENT.
- EQUIPMENT AND EQUIPMENT LAYOUT MAY CHANGE DEPENDING ON TOWER AND EQUIPMENT SUPPLIERS.
- DEPENDING ON CLEARANCE REQUIREMENTS, SUPPLEMENTARY CROSSARM MAY BE OMITTED OR ALTERNATIVELY, REPLACED BY A SINGLE BEAM OF SIMILAR LENGTH.
- INTERNAL BRACING SHOWN IS A GENERAL ARRANGEMENT ONLY AND MAY VARY DEPENDING ON TOWER SUPPLIER.
- IN SITUATIONS WHERE ESB TELECOMS DO NOT USE PLC ON THE LINE THERE WILL BE NO REQUIREMENT FOR THE COUPLING CAPACITORS AND LINE TRAPS. THEREFORE THESE WILL BE REMOVED.
- ORIENTATION OF INSULATOR  $\theta$  IN PLAN WILL VARY FROM  $0^\circ$  -  $45^\circ$  FOR EACH TOWER LOCATION.
- NUMBER OF, AND POSITIONS OF INSULATORS ARE INDICATIVE ONLY.
- INSULATORS MAY BE OF EITHER GLASS OR COMPOSITE MATERIAL.
- ACTUAL DIMENSIONS MAY BE LESS THAN SHOWN ON DRAWING DEPENDING ON TOWER SUPPLIER.
- ALL DIMENSIONS IN MILLIMETRES UNLESS STATED OTHERWISE.
- THIS DRAWING IS REFERENCED FROM PG567.D004-441.001.004 (220kV OVERHEAD LINE OUTLINE PLANNING APPLICATION DRAWING FOR SINGLE CIRCUIT LINE/CABLE INTERFACE TOWER WITH SHIELDWIRE).

REV	DATE	REVISION DESCRIPTION	DRN	PROD	VER	APP
2		PROJECT TITLE REVISED		SB		
1	21.08.23	DRAWING TITLE REVISED		SB	SB	RH AH
0	29.04.22	INITIAL VERSION		SB	RH	AH SK

COPYRIGHT © ESB  
ALL RIGHTS RESERVED. NO PART OF THIS WORK MAY BE MODIFIED, REPRODUCED OR COPIED IN ANY FORM OR BY ANY MEANS - GRAPHIC, ELECTRONIC OR MECHANICAL, INCLUDING PHOTOCOPYING, RECORDING, TAPING OR USED FOR ANY PURPOSE OTHER THAN ITS DESIGNATED PURPOSE, WITHOUT THE WRITTEN PERMISSION OF ESB.

PURPOSE OF ISSUE - PRELIMINARY UNLESS INDICATED  
CLIENT APPROVAL  PLANNING  TENDER  CONSTRUCTION  AS-BUILT

CLIENT: Oriel Windfarm Limited

PROJECT: Oriel Wind Farm Project

CONTRACT:

DRAWING TITLE: ONSHORE SUBSTATION  
220 kV SINGLE CIRCUIT LINE / CABLE INTERFACE MAST  
WITH SHIELDWIRE - PLAN, ELEVATIONS & SECTION

PRODUCTION UNIT: Civil, Environmental and Renewable Engineering

DRAWN	PRODUCED	VERIFIED	APPROVED	APPROVAL DATE
S.Bolton	S.Bolton	A.Harte	J.McLoughlin	23/02/2024
CLIENT REF	NO. OF SHTS	SIZE	SCALE	
TC223815	1	A1	1:100	

DRAWING NUMBER: PE605-D027-038-032-002