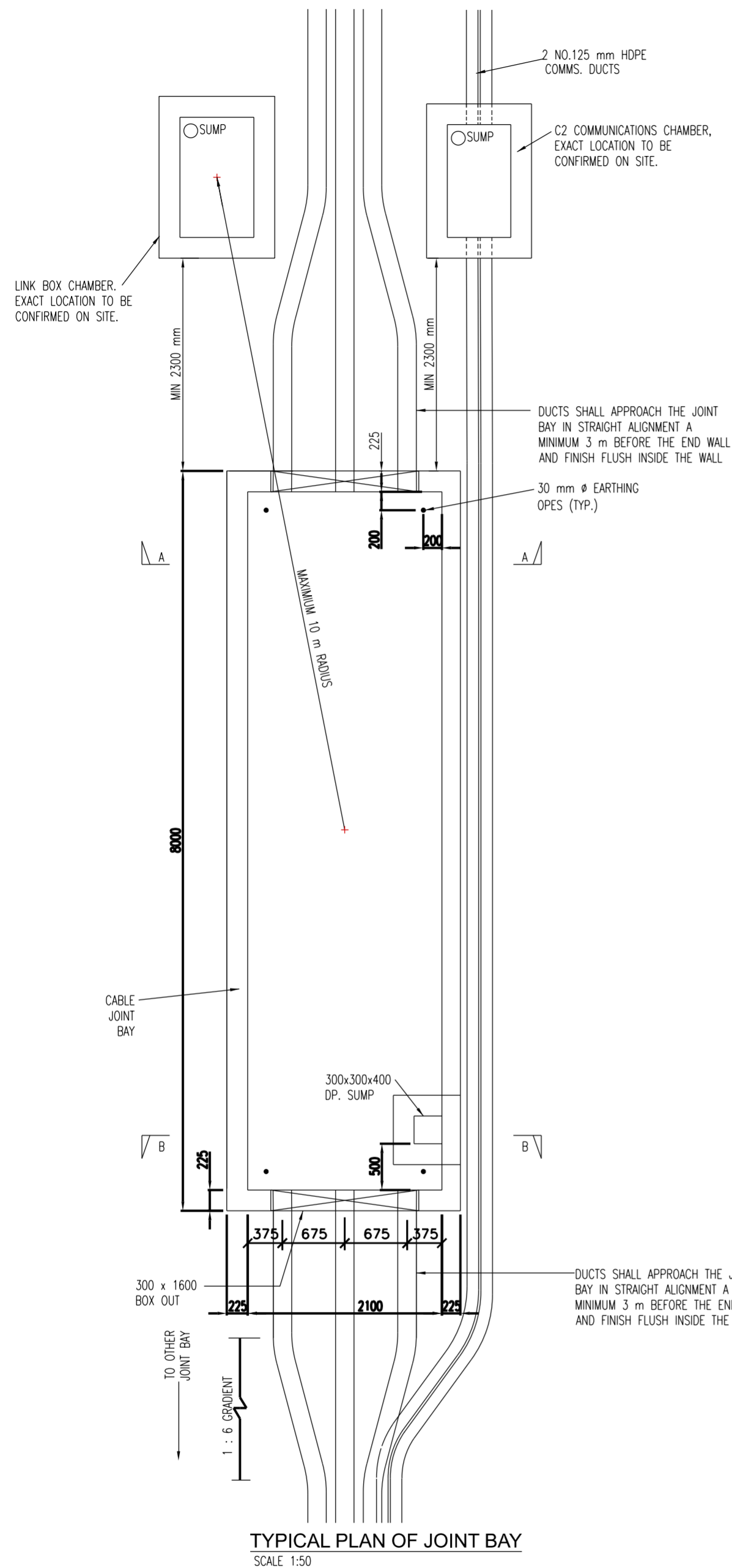


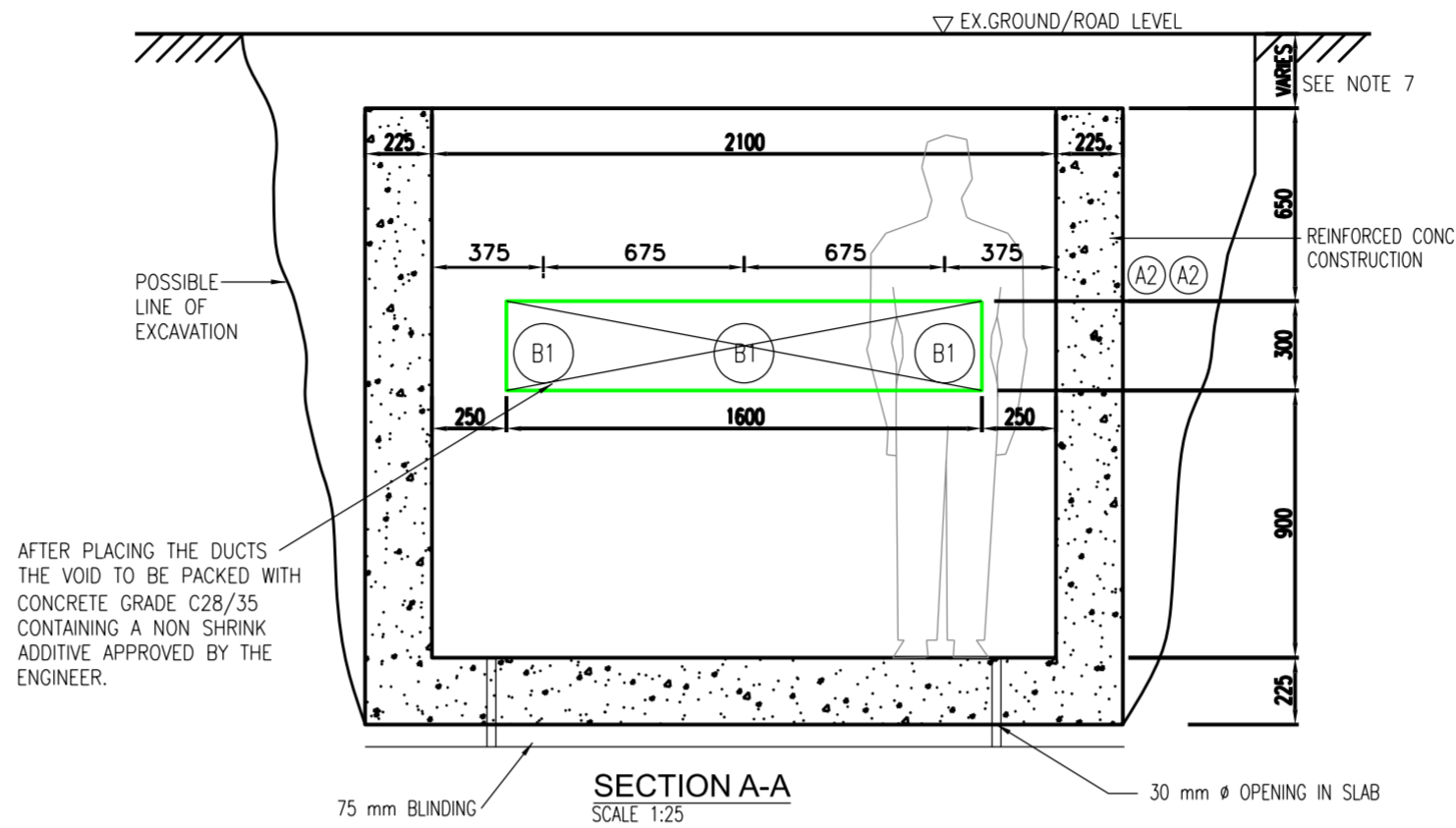
NOTES:

1. THIS DRAWING TO BE READ IN CONJUNCTION WITH ALL RELEVANT ENGINEER'S, ARCHITECT'S DRAWINGS & SPECIFICATIONS.
2. ALL DIMENSIONS ARE IN mm.
3. DO NOT SCALE DIMENSIONS.
4. THE CONTRACTOR SHALL CHECK ALL DIMENSIONS PRIOR TO CONSTRUCTION, ANY DISCREPANCIES TO BE NOTIFIED TO THIS OFFICE IN WRITING IMMEDIATELY.
5. CONCRETE GRADE C28/35.
6. CONCRETE COVER TO REINFORCEMENT TO BE 50mm.
7. THE DEPTH FROM GROUND/ROAD LEVEL TO THE TOP OF THE CONCRETE WALL SHALL BE:
 - A) 500 mm - IN CULTIVATED FIELDS AND GRASSED LANDS
 - B) 300 mm - IN PAVED ROADS AND GRASS VERGES
 - C) 350 mm - IN PAVED ROADS IN DUBLIN CITY COUNCIL ROADS AND GRASS VERGES
8. IN ROADS LINK BOX CHAMBER TO BE POSITIONED AT THE EDGE OF OR OFF ROAD.

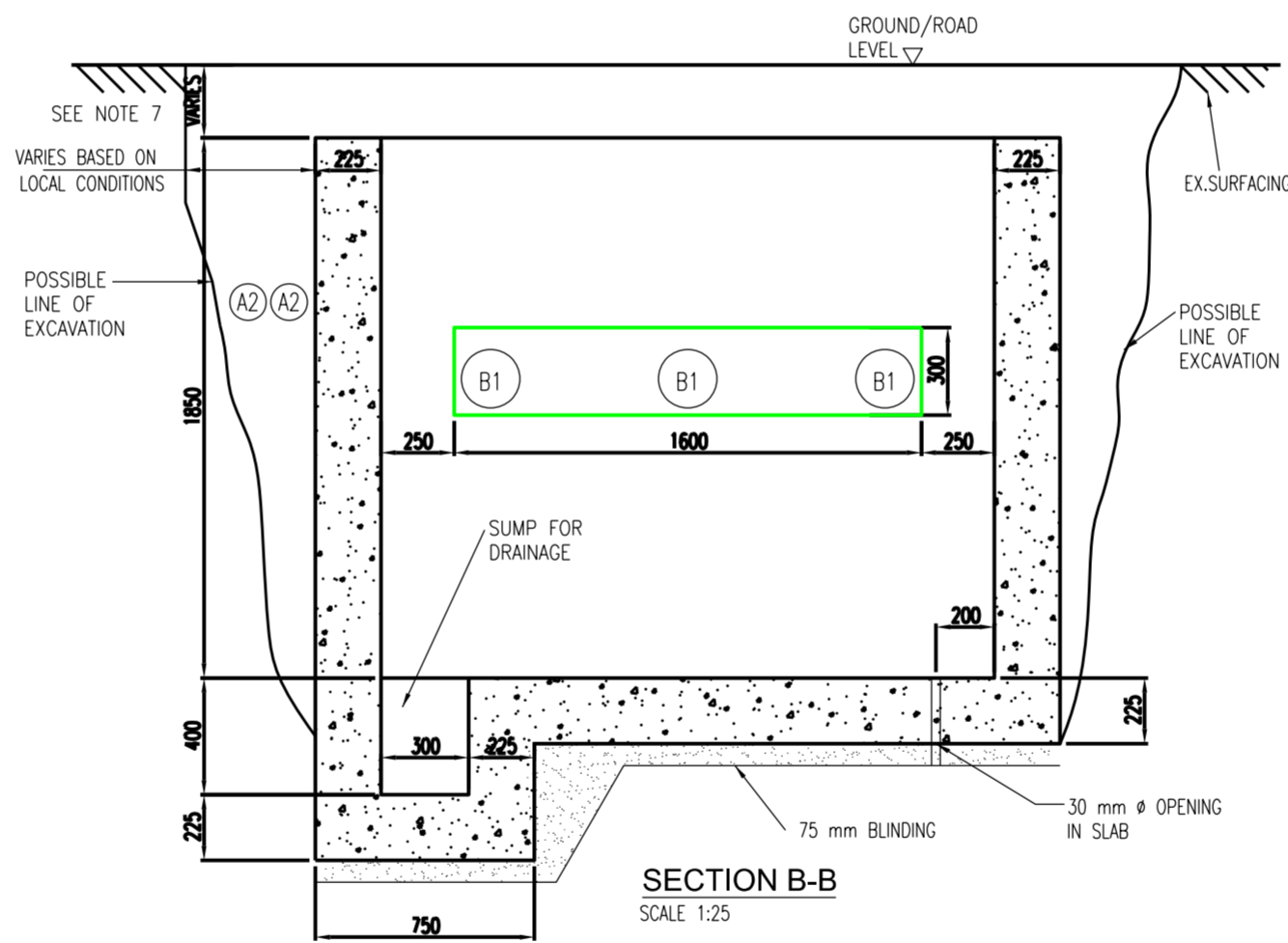
A2=125 mm DIA HDPE DUCT (COMMS)
B1=200 mm DIA. HDPE DUCT (220 kV)



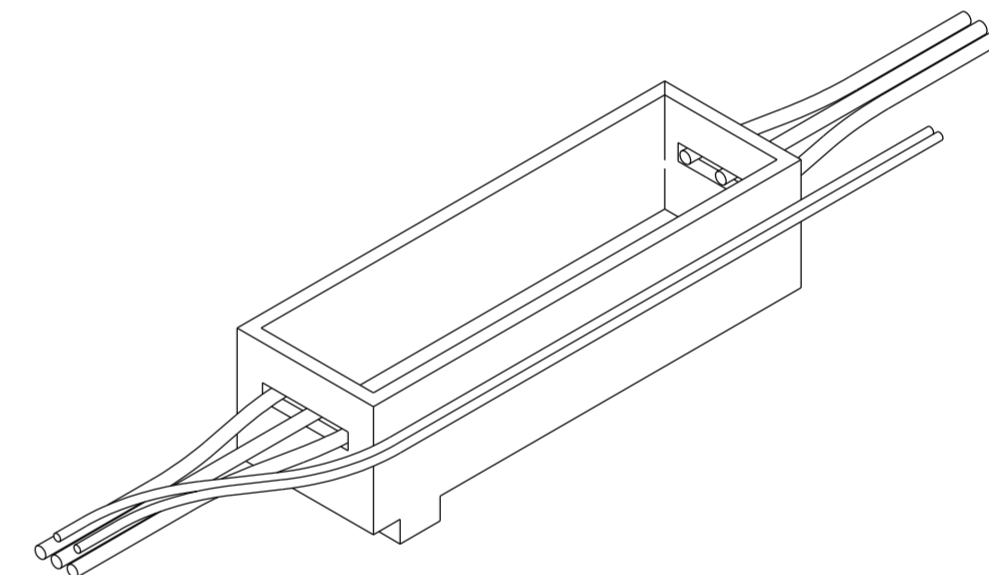
TYPICAL PLAN OF JOINT BAY
SCALE 1:50



SECTION A-A
SCALE 1:25



SECTION B-B
SCALE 1:25



VOLUME OF CONCRETE = 13 m³
ISOMETRIC VIEW OF JOINT BAY
N.T.S.

Rev.	Date	Description	Drm.	Prod.	Ver.	App.
004		AMENDED SCALES				
003	01/02/24	UPDATED SCLE IN TITLE BLOCK TO AS STATED	NB	NB	RD	MH
002	14/08/23	REVISED NOTE 1	NB	NB	RD	RD
001	18/07/23	UPDATED SHEET SIZE TO A2	NB	NB	RD	RMcG
000	11/07/23	FIRST ISSUE	NB	NB	RD	RD

Purpose of issue - Preliminary unless indicated
 Client Approval Planning Tender Construction As-built

ESB Engineering and Major Projects,
 One Dublin Airport Central,
 Dublin Airport, Cloughran,
 Co. Dublin, K67 XF72, Ireland.
 Tel: +353 (0)1 703 8000 Web: www.esb.ie
 Engineering and Major Projects is a division of ESB.

Client: **ORIEL WINDFARM LIMITED**
 Project: **ORIEL WIND FARM PROJECT**
 Contract: _____

Production Unit: **Civil, Environmental and Renewable Engineering**
 Drawing Title: **8 m X 2.55 m JOINT BAY GENERAL ARRANGEMENT**

COPYRIGHT © ESB
 All rights reserved. No part of this work may be modified, reproduced or copied in any form or by any means - graphic, electronic or mechanical, including photocopying, recording, taping or used for any purpose other than its designated purpose, without the written permission of ESB.

DRAWN Doyle_Rbt	PRODUCED Bell_Neil	VERIFIED R.Doyle	APPROVED M.Hogon	APPROVAL DATE 14/02/2024
CLIENT REF TC225562		No. OF SHITS 1/1	SIZE A2	SCALE AS STATED

Drawing Number: **PE605-D027-073-002-004** SHEET REV